

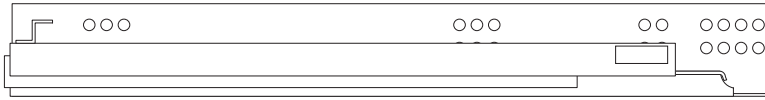
Full-extension, concealed drawer slides

- Self closing with soft-close dampening
- For 5/8" maximum drawer side thickness
- 75 lb. dynamic capacity



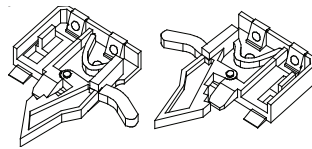
Components required to mount one drawer

1 Order one set of slides to match the drawer length



| Drawer length | Code Number |
|---------------|-------------|
| 21" 533mm | HCBAF533V6 |
| 18" 457mm | HCBAF457V6 |
| 15" 381mm | HCBAF381V6 |
| 12" 305mm | HCBAF305V6 |

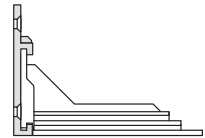
(6) sets per carton



Sets include a pair of front locking devices that connect the drawer to the slides.

2 Order 2 sockets

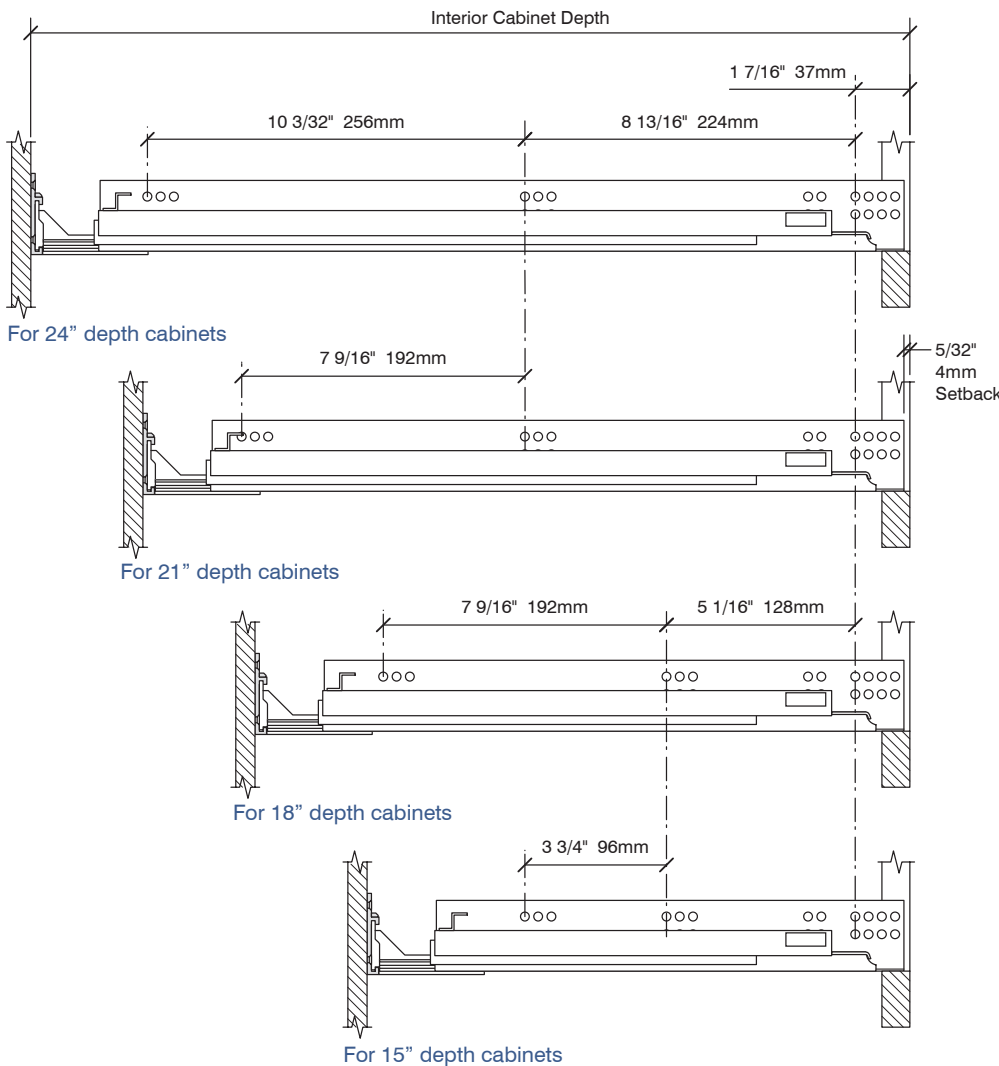
Required for face frame cabinets



| |
|------------|
| Non-handed |
| G-280 |

(400) per carton

Slide mounting specifications



21" drawer 533mm

Face frame interior cabinet depth:
 23 1/2" 597mm Max.
 22 1/4" 565mm Min.
 Frameless interior cabinet depth:
 21 7/8" 555mm Min.

18" drawer 457mm

Face frame interior cabinet depth:
 20 1/2" 520mm Max.
 19 1/4" 489mm Min.
 Frameless interior cabinet depth:
 18 7/8" 479mm Min.

15" drawer 381mm

Face frame interior cabinet depth:
 17 1/2" 444mm Max.
 16 1/4" 413mm Min.
 Frameless interior cabinet depth:
 15 7/8" 403mm Min.

12" drawer 305mm

Face frame interior cabinet depth:
 14 1/2" 368mm Max.
 13 1/4" 337mm Min.
 Frameless interior cabinet depth:
 12 7/8" 327mm Min.